



AB30W



AB30L



AB10W-PTFE



AB10W-PTFE-SS



AB10L

### FEATURES

- Designed and manufactured to AS4795.
- Phenolically backed replaceable liner.
- Rated to 1600kpa from 50mm up to 600mm and 1000kpa from 700mm up to 1200mm.
- 304 Stainless steel fasteners.
- Bi-directional bubble-tight sealing, with no leakage under pressure.
- ISO top mounting flange for easy actuation.
- Gearbox fitted as standard on all sizes 350mm and above.

### OPTIONS

- Full 316 stainless steel lever and notch plate for valves 300mm and below.
- Gearboxes available for valves 300mm and below.
- Pneumatic and electric actuation.
- Limit switches and positioners.
- Extension fixed and non-fixed.
- Wide selection of body & disc materials:
  - Cast Iron
  - Ductile Iron
  - Aluminium Bronze
  - Stainless Steel (SAF2205, SAF2507, 316L)
  - Other specialty materials on request
- Wide selection of seal materials:
  - EPDM
  - PTFE (Teflon) coated EPDM
  - NBR
  - FPM (Viton)
- Wide selection of coatings:
  - Rilsan (Nylon 11)
  - Plascoat (PPA)
  - Electro-less Nickel (ENC)
  - Rubber
  - Enamel
  - PTFE
- Connections to suit a wide range of flanging standards:
  - AS2129 T/ E
  - AS4087 CL16 (AS2129 T/D)
  - ANSI 150
  - EN 1092

### ACCORDING TO

- ✓ AS4795
- ✓ ISO5752
- ✓ API609
- ✓ EN1092
- ✓ MSS SP67

### TECHNICAL DATA

Size Range:	DN50 - DN1200
Pressure Classes:	PN10, PN16, PN21 & PN25
Face to face:	According to AS4795
Top Flange:	According to ISO 5211
Temperature Range:	-20°C to +150°C (depending on seat material)
Leakage Tests:	According to AS4795
Coating:	Fusion Bonded Epoxy (For all cast and ductile iron bodied valves)



## DESCRIPTION

Figure 1. AVFI's AB Series Butterfly Valve with hard phenolic seat, pin or splined connection between disc and stem, both wafer and lug style. Suitable for most general purpose applications.

### STEM CONFIGURATION

Square on sizes up to 300mm and round on sizes 350mm.

### DOUBLE O-RING

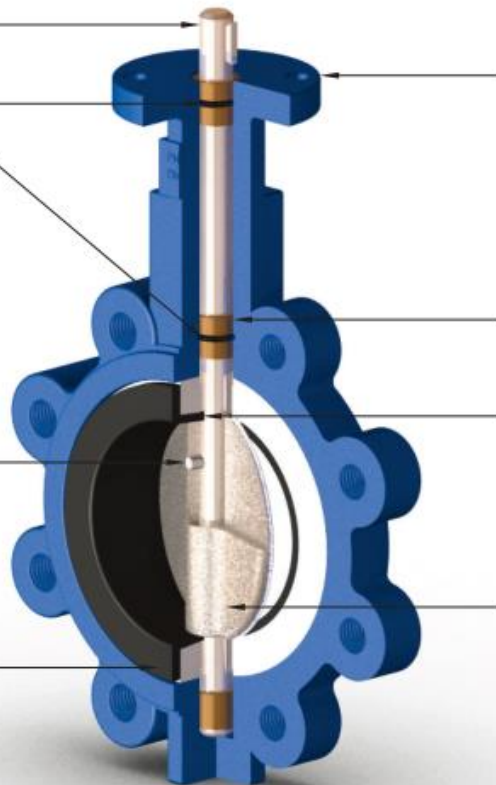
Prevents leakage from stem.

### CONNECTION BETWEEN DISC & SHAFT

Pin, spline or square connection are all available.

### SEAT (LINER)

Phenolic backed, non-collapsible with good stretch resistance, easily replaceable.



### TOP FLANGE

Top flange as per ISO 5211 standard for simple fitting of handle or actuator.

### BUSHING

Stem bushing reduces valve torque and prevents stem corrosion. PTFE or bronze available.

### SHAFT SEAL

Bonding of elastomer to phenolic backing ring protects against distortion. A common cause of shaft leakage.

### DISC

Precision profile disc provides bubble-tight shut-off and assures minimum torque value and long seal life.



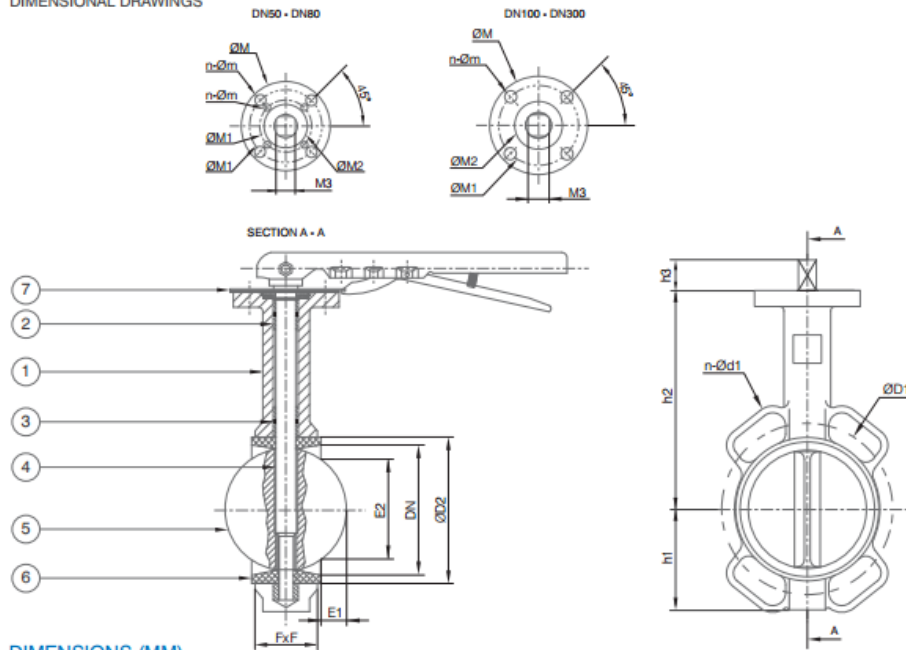
**MATERIAL SPECIFICATIONS & PARTS LIST**

NO.	DESCRIPTION	MATERIAL
1	Body	Cast Iron (fusion bonded epoxy coated)
2	Bushing	PTFE
3	O-Ring	EPDM
4	Stem	SS431
5	Disc	SS316
6	Seat	EPDM
7	Notch Plate & Fasteners	SS304

NOMINAL PRESSURE		PN16
Test:	Strength Test	24Bar
Pressure:	Sealing Test	17.6Bar
Max Working Temperature:		-25°C to +100°C
Suitable Media:		W.O.G etc

Note: PN21 & PN25, dimensions available on request.  
For lever handle dimensions, refer to pg13.

**DIMENSIONAL DRAWINGS**



**DIMENSIONS (MM)**

WAFER TYPE BFLY DN50 - DN300				AS2129 T/D AS2129 T/E		AS2129 T/D		AS2129 T/E		ANSI150		ISO 5211 TOP FLANGE							
DN	FxF	h1	h2	h3	E1	E2	ØD2	ØD1	n-Ød1	n-Ød1	ØD1	n-Ød1	FLANGE NO.	ØM	n-Øm	ØM1	ØM2	M3	Weight (kg)
50	43	80	140	13.5	3.2	25.1	77	114	4-18	4-18	120.6	4-19	F05/F07	90	4-8/4-10	50/70	35.5	11x11	3.66
65	46	89	155	13.5	7.6	41.4	89	127	4-18	4-18	139.7	4-19	F05/F07	90	4-8/4-10	50/70	35.5	11x11	4.28
80	46	95	160	13.5	14.9	61.8	104	146	4-18	4-18	152.4	4-19	F05/F07	90	4-8/4-10	50/70	35.5	11x11	4.6
100	52	104	180	17.5	25.1	89.1	135	178	4-18	8-18	190.5	8-19	F07	90	4-10	70	55.5	11x11	5.8
125	56	120	193	17.5	32.6	108.7	159	210	8-18	8-18	215.9	8-22.4	F07	90	4-10	70	55.5	14x14	8
150	56	145	200	18.5	48.9	144.6	189	235	8-18	8-22	241.3	8-22.4	F07	90	4-10	70	55.5	14x14	9.5
200	60	175	240	24.5	70	192.5	239	292	8-18	8-22	298.4	8-22.4	F10	125	4-12	102	70.5	17x17	16
250	68	203	272	24.5	90.3	240.5	293	356	8-22	12-22	361.9	12-25.4	F10	125	4-12	102	70.5	22x22	21
300	78	242	317	27	111	290.8	345	406	12-22	12-26	431.8	12-25.4	F10	125	4-12	102	70.5	22x22	35